



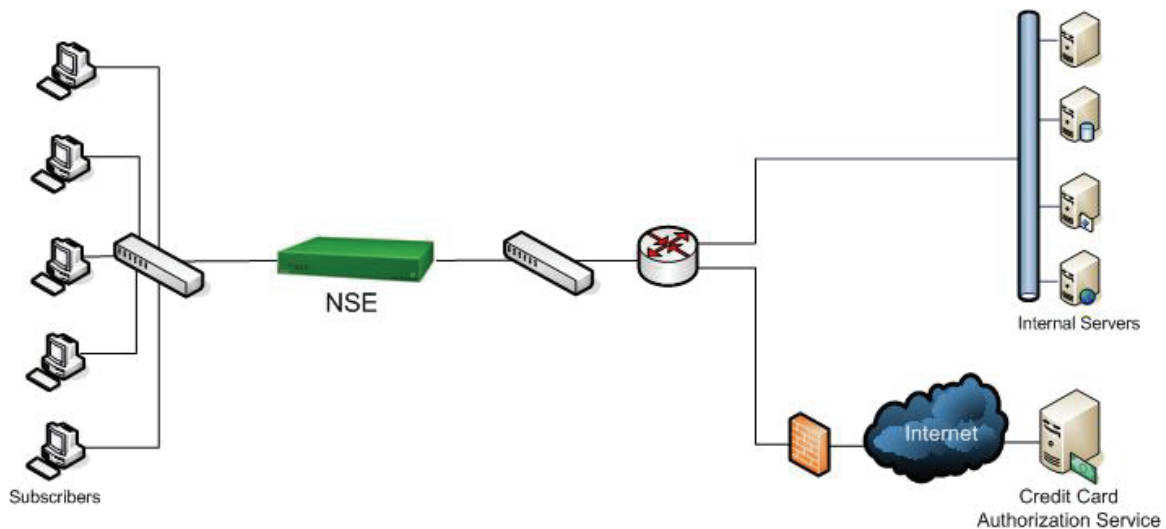
NSE Module Offerings

Credit Card Module

The Nomadix Credit Card module enables payment for access services to be billed directly to a subscriber's credit card account through the use of a credit card merchant account authentication service. When logging on, subscribers are prompted for their credit card information. Once the information has been verified and accepted, users are granted access to the services offered. In addition, the Nomadix Bill Record Mirroring service provides a backup means of monitoring billing transactions for additional reliability in record keeping.

The Credit Card module can be used alone to provide a direct means of customer billing without the need of an on-site billing system, or can be used in conjunction with other Nomadix billing methodologies (such as PMS or RADIUS accounting) to provide flexible options through which payment for services can be managed.

The Credit Card and Bill Record Mirroring features are supported on all Nomadix platforms and can be used in combination with any or all of the other billing methods supported. NSE has worked with Authorize.net, Chain Fusion, E-xact and Internet Secure credit card service providers.



Subscribers can be validated and billed via an external Credit Card Authorization Service.